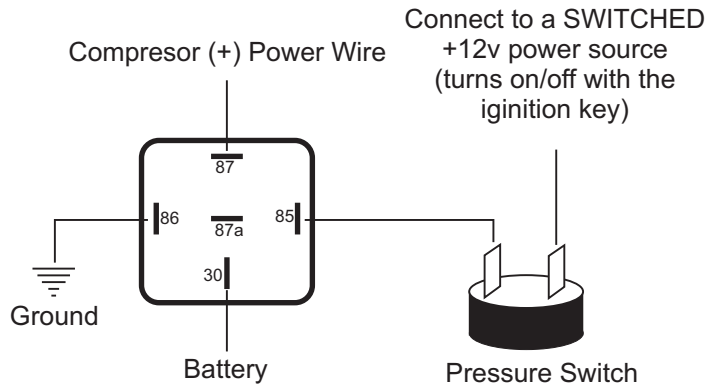


Pressure Switch Installation Instructions

- 1) The pressure switch gets installed on the air tank. It has a 1/8" Male NPT thread. If your tank does not have a 1/8" port, we have adapters available for purchase in all sizes
- 2) Apply either teflon tape or a liquid sealant to the threads to prevent air leaks.
- 3) The pressure switch must be installed in a port that is NOT at the bottom of the tank. If it is installed at the bottom of tank, the normal moisture that condenses in the tank will enter the pressure switch and cause it to fail.
- 4) For best results, locate the pressure switch so that it is not directly opposite the port that has the air input from the compressor.



Kleinn Air Horns 2094 N. Dragoon St
Tucson, AZ 85745 (520)579-1531
www.kleinn.com